



Manual

Brel solar motors
Roller shutters & screens
Assembly Manual V.01



****ATTENTION****

AVZ Group cannot be held liable for any errors that may occur in this manual, nor for any adverse consequences arising from the use of this manual.

General information

Available articles.....	6
Motor diagrams SolidScreen	7
Motor diagram Roller shutters.....	9

Assembly Brel solar motors

Preparing profiles and parts.....	12
Assembly solar motor	13



General information



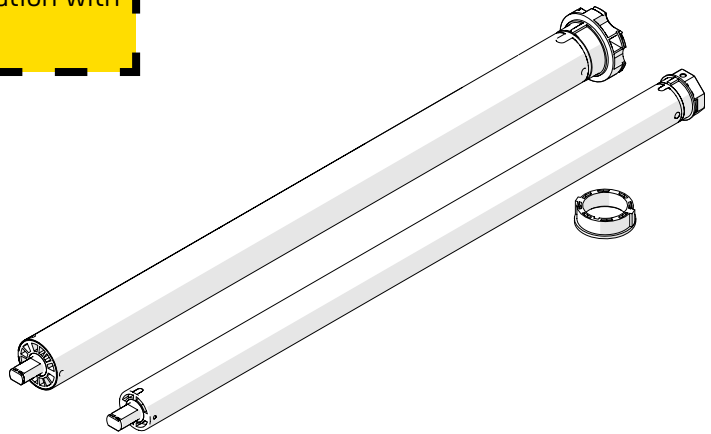
Available articles

Motors

The applicable SolidScreens and Roller shutters can be equipped with 13Nm and 20Nm Brel solar motors. Please see the motor diagrams to select the correct motor power.

Please note: The 13Nm motor can only be used together with the 35-45mm reducer ring. Also, the 13Nm motor can only be used together with roller shutter tube 60 and steel tube 63.

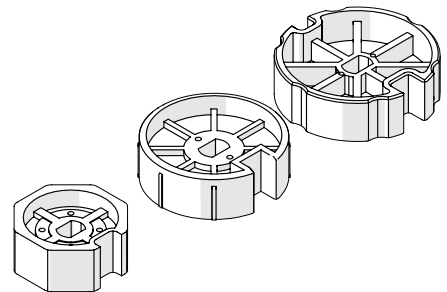
PLEASE NOTE: Brel charges their batteries for 30%, please fully charge the battery before installation with the external wall charger



Plugs

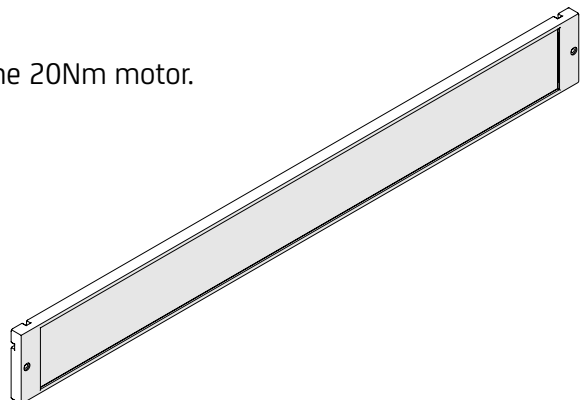
The friction rings are available for the following rollers:

- Roller shutter roller 60
- Steel roller 63
- Steel roller 78 (only 20Nm)
- Steel roller 85 (only 20Nm)
- Aluminium roller 100 (plugs 78)



Solar panel

The same 5W solar panel is used for both the 13Nm and the 20Nm motor.



SolidScreen Standard

Roller 63, Standard bottom slat 3,3kg/m

	Width				
Height	100	150	200	250	300
100	13	13	13	13	13
150	13	13	13	13	13
200	13	13	13	13	13
250	13	13	13	13	13
300	13	13	13	13	13

SolidScreen Standard

Roller 78, Standard bottom slat 3,3kg/m

	Width													
Height	100	150	200	250	300	350	400	450	500	550	600	650	700	750
100	20	20	20	20	20	20	20	20	20	20	20	20	20	20
150	20	20	20	20	20	20	20	20	20	20	20	20	20	20
200	20	20	20	20	20	20	20	20	20	20	20	20	20	
250	20	20	20	20	20	20	20	20	20	20	20	20		
300	20	20	20	20	20	20	20	20	20	20	20			
350	20	20	20	20	20	20	20	20	20	20				
400	20	20	20	20	20	20	20	20	20	20				
450	20	20	20	20	20	20	20	20	20	20				
500	20	20	20	20	20	20	20	20	20	20				

SolidScreen Standard

Roller 78, Ballasted bottom slat 6,0 kg/m

	Width													
Height	100	150	200	250	300	350	400	450	500	550	600	650	700	750
100	20	20	20	20	20	20	20	20						
150	20	20	20	20	20	20	20	20						
200	20	20	20	20	20	20	20							
250	20	20	20	20	20	20	20							
300	20	20	20	20	20	20	20							
350	20	20	20	20	20	20								
400	20	20	20	20	20	20								
450	20	20	20	20	20	20								
500	20	20	20	20	20	20								

SolidScreen XS

Roller 63

	Width				
Height	100	150	200	250	300
100	13	13	13	13	13
150	13	13	13	13	13
200	13	13	13	13	13
250	13	13	13	13	13
300	13	13	13	13	13

SolidScreen XS

Roller 78

	Width													
Height	100	150	200	250	300	350	400	450	500	550	600	650	700	750
100	20	20	20	20	20	20	20	20	20	20	20	20	20	20
150	20	20	20	20	20	20	20	20	20	20	20	20	20	20
200	20	20	20	20	20	20	20	20	20	20	20	20	20	
250	20	20	20	20	20	20	20	20	20	20	20	20		
300	20	20	20	20	20	20	20	20	20	20	20			
350	20	20	20	20	20	20	20	20	20	20				



Motor diagrams SolidScreen

SolidScreen Xtra

Roller 63, 78 en 85, Ballasted bottom slat 6,0 kg/m

	Width								
Height	100	150	200	250	300	350	400	450	500
100	13	13	13	13	13	20	20	20	20
150	13	13	13	13	13	20	20	20	20
200	13	13	13	13	13	20	20	20	20
250	13	13	13	13	13	20	20	20	20
300	13	13	13	13	20	20	20	20	20
350	20	20	20	20	20	20			
400	20	20	20	20	20	20			
450	20	20	20	20	20	20			
500	20	20	20	20	20	20			

SolidScreen XL

Roller 100, Ballasted bottom slat 6,0 kg/m

	Width										
Height	100	150	200	250	300	350	400	450	500	550	600
100	20	20	20	20	20	20					
150	20	20	20	20	20	20					
200	20	20	20	20	20	20					
250	20	20	20	20	20						
300	20	20	20	20	20						
350	20	20	20	20	20						
400	20	20	20	20	20						
450	20	20	20	20							
500	20	20	20	20							
550	20	20	20	20							
600	20	20	20	20							

SolidSky

	Width						
Height	100	150	200	250	300	350	400
100	20	20	20	20	20	20	20
150	20	20	20	20	20	20	20
200	20	20	20	20	20	20	20

Assembly Brel solar motors

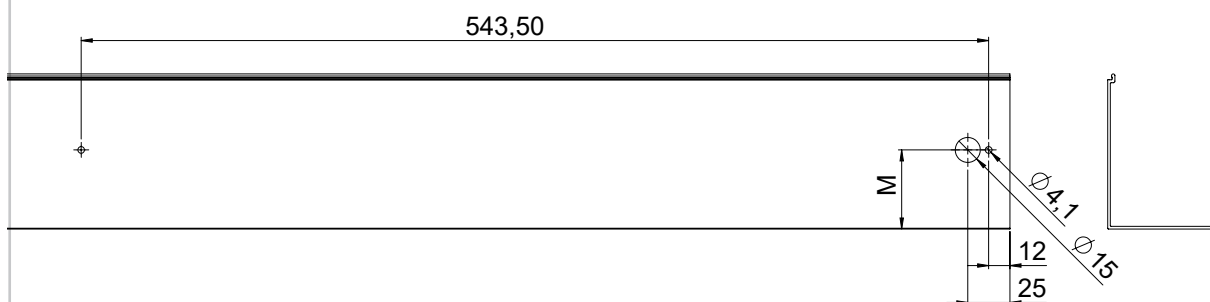


Preparing the profiles and parts

1.0 Drilling holes solar panel

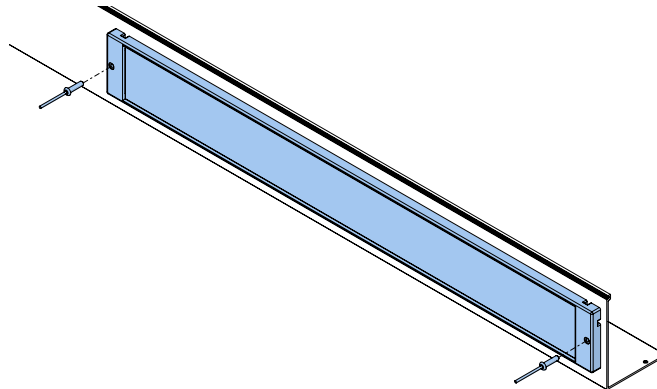
Drill two 4.1 mm holes and one 15 mm hole in the bottom cover as shown in the picture below. Drill all holes completely through the bottom cover.

PLEASE NOTE: 'M' is variable and depends on the cassette size - when choosing the cassette, take into account the dimensions of the solar panel.



1.1 Mounting the solar panel

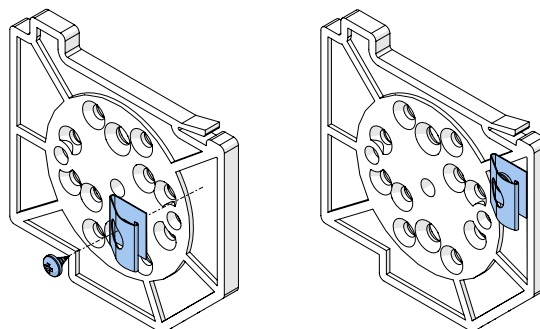
Feed the cable from the solar panel through the hole in the bottom cover. Mount the solar panel on the bottom cover with two **black** pop rivets (4mm).



1.2 Fitting the leaf spring

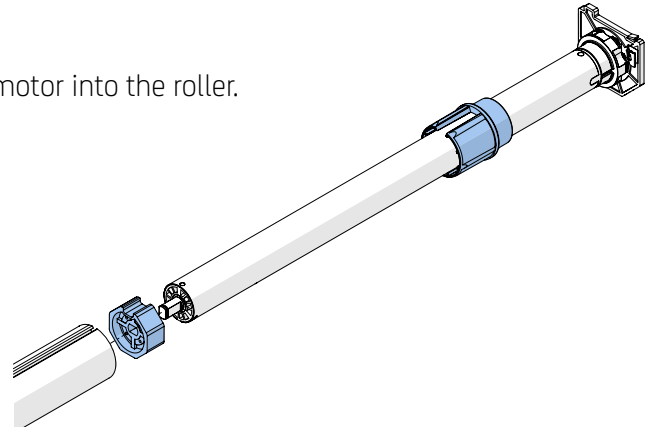
Mount a leaf spring on the mounting plate at the motor side according to the image, using a self-tapping 3,5 x 6,5 mm cross cylinder head screw.

PLEASE NOTE: The leaf spring is **not** required for roller shutters.



2.0 Fitting the solar motor

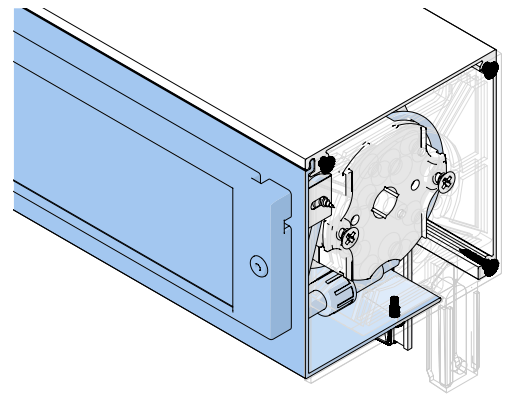
Fit the right friction ring and motor plug and slide the motor into the roller.



2.1 Connecting the solar panel

Connect the connector of the solar panel to the motor and then mount the bottom cover.

PLEASE NOTE: With SolidScreens, make sure that the cable and antenna fall in the leaf spring. With Roller shutters, the cable and antenna are concealed behind the locking plate.



2.2 Adjusting the motor

After the SolidScreen or the Roller shutter has been fitted, adjust the upper and lower position following the instructions that came with the motor.



Brel solar motors Assembly manual V.01

Aluminium Verkoop Zuid B.V.

Kanaaldijk 11 • 5683 CR Best • Netherlands

T +31 499 328 600 **E** verkoop@avz.nl

Sun Stock Holland B.V.

Talhoutweg 16 • 8171 MB Vaassen • Netherlands

